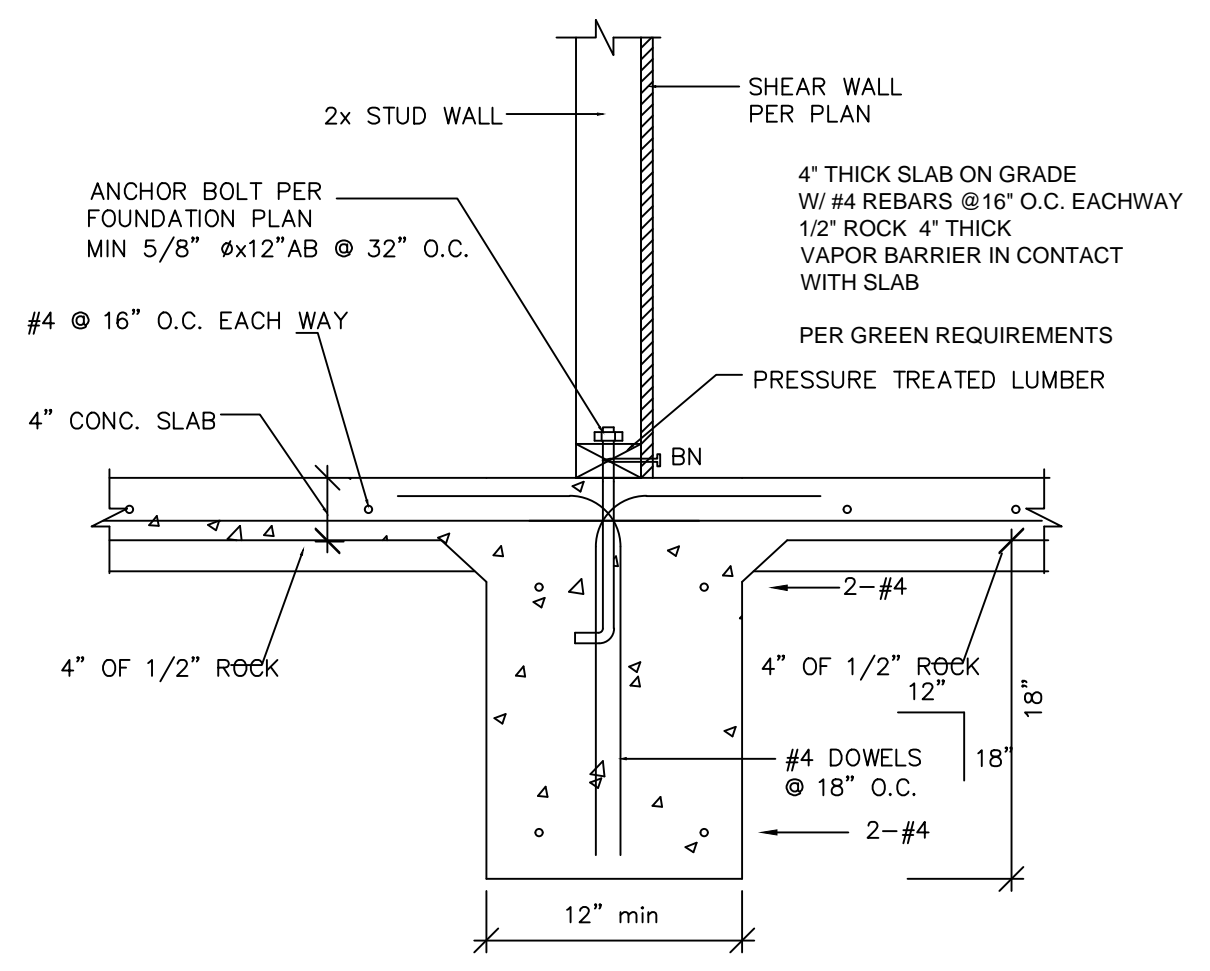
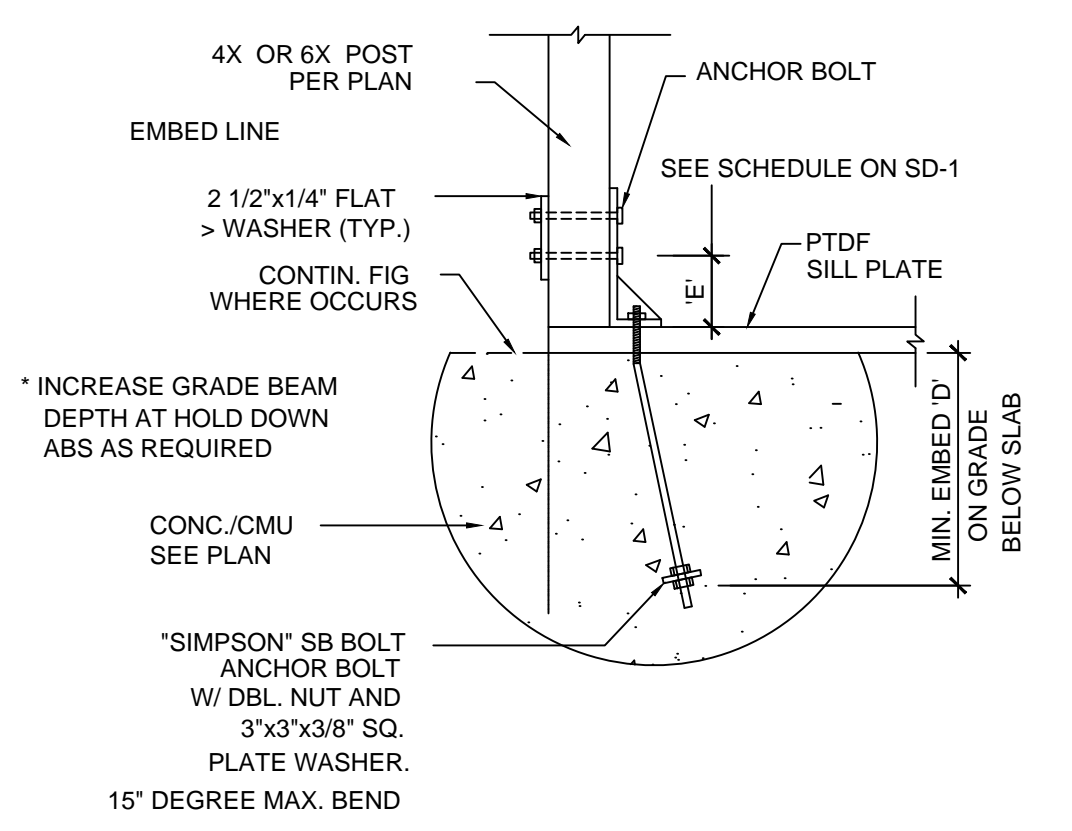


1 TYPICAL EXTERIOR FOOTING

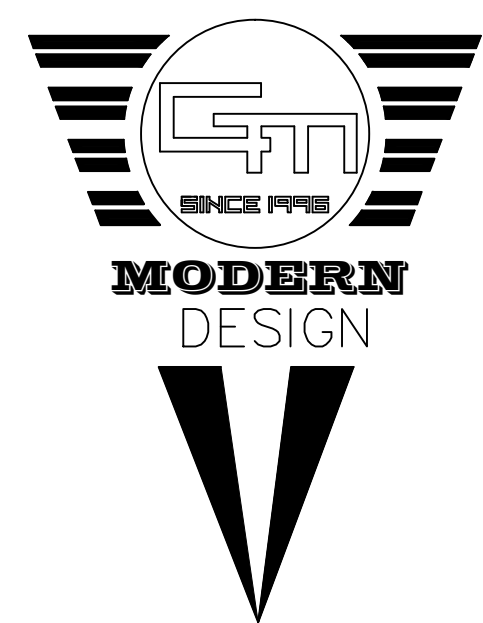


2 NEW INTERIOR FOOTING



HOLD DOWN IN CONC.	ANCHOR W/ WASHER BOLT -	LENGTH	MIN. EMBED. 'D'	MIN. DIST. 'E'
HDU2	5/8"	17"	12 5/8"	4 9/16"
HDU4	5/8"	21"	16 5/8"	5 1/4"
HDU5	5/8"	30"	24 5/8"	6 3/16"
HDU8	7/8"	34"	24 5/8"	6 3/16"

THE DRAWINGS AND SPECIFICATIONS AND IDEAS, DESIGN REPRESENTED THEREBY ARE AND SHALL REMAIN THE PROPERTY OF GM MODERN DESIGN AND CANNOT BE COPIED, DUPLICATED OR EXPLOITED IN WHOLE OR IN PART, WITHOUT WRITTEN PERMISSION OF THE DESIGNER.



GREG MISAKYAN  
6277 VAN NUYS BLVD SUITE 118  
VAN NUYS, CA. 91401  
Tel. (818) 374-1300  
Fax (818) 374-1347  
E-Mail: GMmoderndesign@gmail.com

Owner:  
6940 Longridge Ave  
North Hollywood, CA 91605

Project Name:  
NEW S.F.D.  
AND NEW GARAGE

Project Address:  
6940 Longridge Ave  
North Hollywood, CA 91605

Scale: 1/4"=1'-0"



DRAWN BY: GREG MISAKYAN  
JOB NUMBER: 000-2018  
PRINT DATE: 6/18/2018  
SHEET NO:

S-1